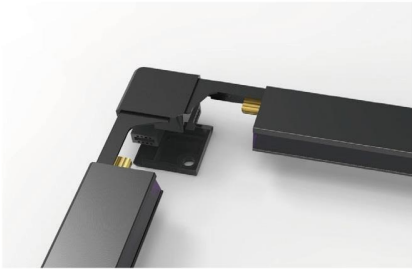
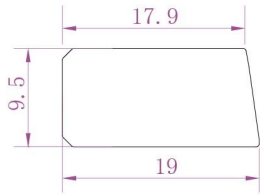
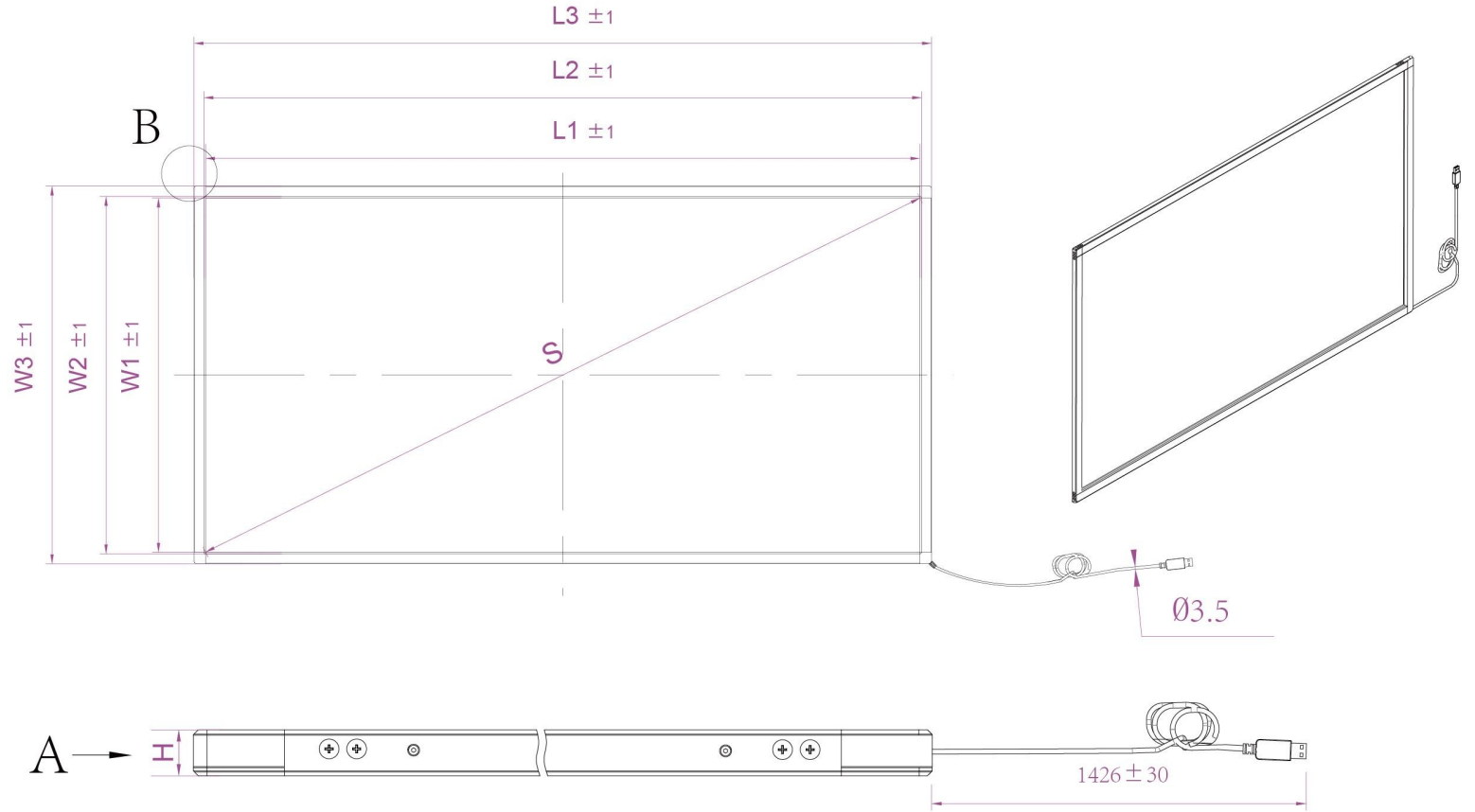


PT001382



B



A

S(Inch/mm)	92.57"/2351.32
W1	1156.4±1
W2	1158.6±1
W3	1194.4±1
L1	2047.3±1
L2	2049.5±1
L3	2085.3±1
H	9.5±0.2



Anti-Sunlight, No Blind Zone For Any Size

X Slim Series						
Material	aluminum	Unit	mm	Date	2018-8-9	Memo
Draft:		Accepted:		Approved:		

